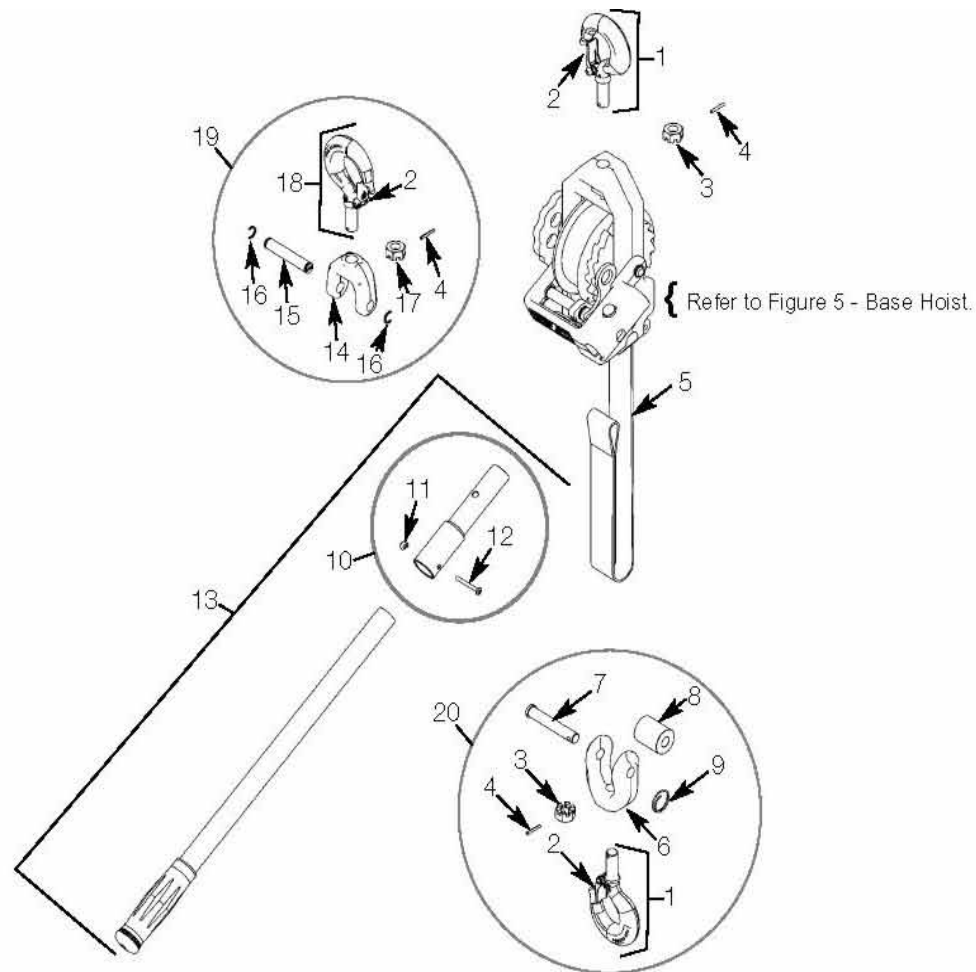


Parts Breakdown for 322B & 344B



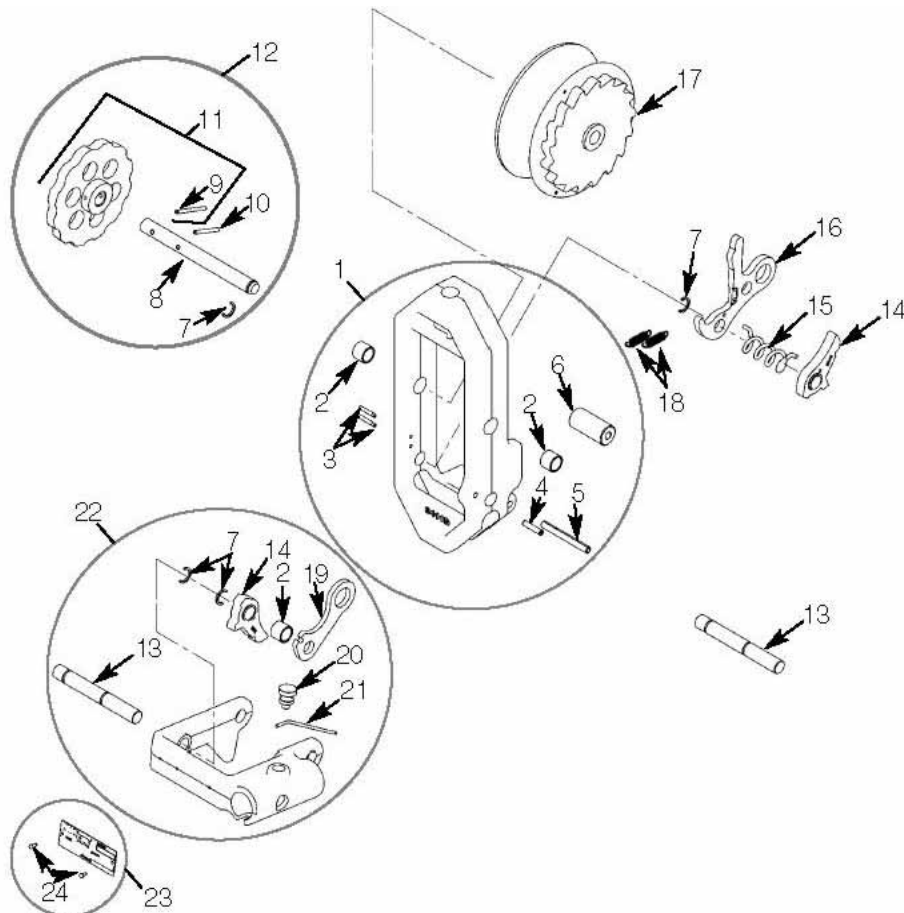
Parts List for Models 322B & 344B

Ref. No.	Description	Model 322B	Model 344B	Qty
1	Hook & Latch Assembly	3M003C01S	3M004C09S	2
2	Latch Kit	10A	10A	3
3	Nut	LM16	H3986P	2
4	Pin, 1/8 X .88	H5250	H5250	3
5	Strap	3471/15*	372/12**	1
6	Yoke	391	392	1
7	Quick Connect Pin	L18-1	L18-1	1
8	Roller	3495	3495	1
9	Quick Connect Ring	L18-3	L18-3	1
10	Handle Tip Kit	350K	350K	1
11	Nut	H3941	H3941	1
12	Screw	H2753	H2753	1
13	Handle Assembly	2450B	3050B	1
14	Yoke	LM3433	LM3433	1
15	Shaft	396B	396B	1
16	Retaining Ring	H5596	H5596	2
17	Nut	LM16	LM16	1
18	Hook & Latch Assembly	3M003C01S	3M003C01S	1
19	Hook & Yoke Assembly	335B	335B	1
20	Hook & Yoke Assembly	399B	3499B	1
†	Warning Decal (Not Shown)	649040344	649040344	1

* Yellow, 15' Long

** Blue, 12' Long

Base Hoist for 322B & 344B



Parts List for Base Hoist

Ref No.	Description	Part No.	Qty	Ref No.	Description	Part No.	Qty
1	Main Frame Assembly	LG3411B	1	13	Pawl Shaft	445B	2
2	Bushing	LM12	3	14	Pawl	241B	2
3	Pin, 1/8 X .88, Type G	H5230-30	2	15	Pawl Spring	23L2	1
4	Pin, 3/16 X 1.00, Type B	H5230-31	1	16	Free-Wheel Lever	279B	1
5	Pin, 1/4 X 2.50	H5242	1	17	Strap Drum	3470B	1
6	Strap Roller	3427	1	18	Return Spring	23L1	2
7	Retaining Ring	H5596	4	19	Reversing Lever	47B	1
8	Drum Shaft	472B	1	20	Handle Lock	51	1
9	Pin, 1/8 X 1.25	73-1	1	21	Reversing Spring	42	1
10	Pin, 1/8 X 1.00	H5251	1	22	U-Frame Assembly	446B	1
11	Winding Wheel Assembly	32	1	23	Name Plate Kit	676L1K	1
12	Drum Shaft Assembly	LG107B	1	24	Drive Screw	H2861P	2